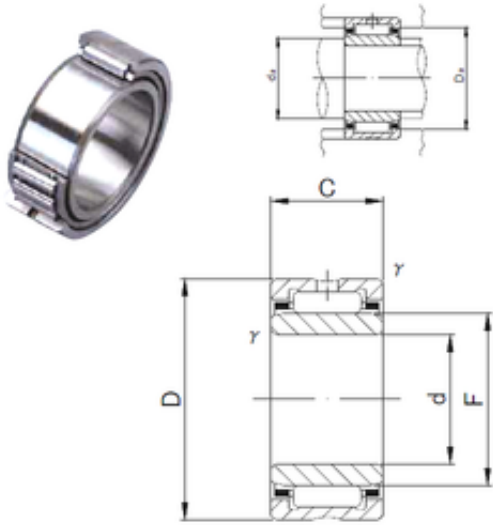




BEARING-SINGAPORE (PTE)LTD.



110 mm x 150 mm x 40 mm JNS NA 4922
needle roller bearings

Bearing No. NA 4922

Size	110x150x40 mm
Bore Diameter	110 mm
Outer Diameter	150 mm
Width	40 mm
d	110 mm
F	125 mm
D	150 mm
B	40 mm
C	40 mm
r min.	1,1 mm
da min.	116,5 mm
da max	123 mm
Da max.	143,5 mm
Weight	2,12 Kg
Basic dynamic load rating (C)	152 kN
Basic static load rating (C0)	357 kN

NA 4922 Bearing 2D drawings and 3D CAD models