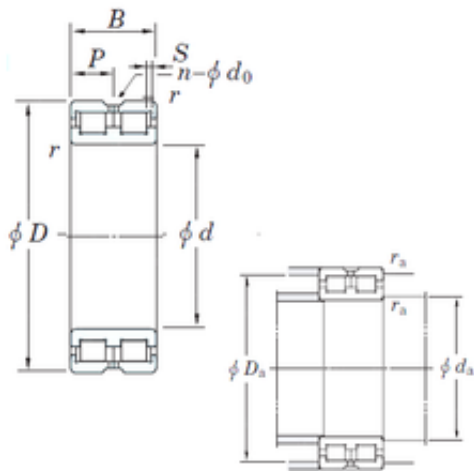




BEARING-SINGAPORE (PTE)LTD.



DC4844VW KOYO Full complement cylindrical roller bearings

Bearing No. DC4844VW

Size	220x270x50 mm
Bore Diameter	220 mm
Outer Diameter	270 mm
Width	50 mm
d	220 mm
D	270 mm
B	50 mm
C	50 mm
n	6 mm
p	25 mm
r min.	1,5 mm
S	4 mm
da min.	228,5 mm
Da max.	261,5 mm
ra max.	1,5 mm
Weight	6,4 Kg
Basic dynamic load rating (C)	355 kN
Bearing No.	DC4844VW
r(min)	1.5
Cr	355
C0r	971
S	4 mm
P	25
n(qty)	6
do	4

DC4844VW Bearing 2D drawings and 3D CAD models



BEARING-SINGAPORE (PTE)LTD.

da(min)	228.5
Da(max)	261.5
ra(max)	1.5
(Refer.)Mass(Fixed side)(kg)	6.20