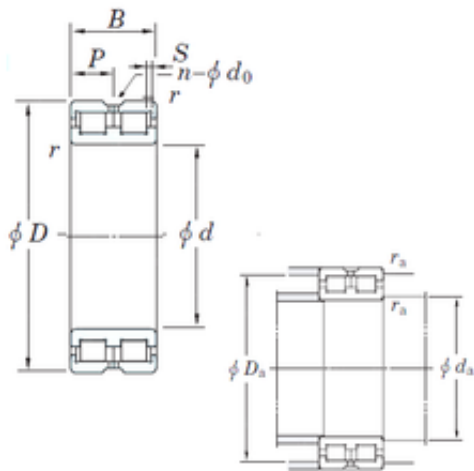




# BEARING-SINGAPORE (PTE)LTD.



## DC4830VW KOYO Full complement cylindrical roller bearings

Bearing No. DC4830VW

DC4830VW Bearing 2D drawings and 3D CAD models

Size	150x190x40 mm
Bore Diameter	150 mm
Outer Diameter	190 mm
Width	40 mm
d	150 mm
D	190 mm
B	40 mm
C	40 mm
n	4 mm
p	20 mm
r min.	1,1 mm
S	2 mm
da min.	157 mm
Da max.	183 mm
ra max.	1 mm
Weight	2,9 Kg
Basic dynamic load rating (C)	234 kN
Bearing No.	DC4830VW
r(min)	1.1
Cr	234
C0r	575
S	2 mm
P	20
n(qty)	4
do	3



## BEARING-SINGAPORE (PTE)LTD.

da(min)	157
Da(max)	183
ra(max)	1
(Refer.)Mass(Fixed side)(kg)	2.80