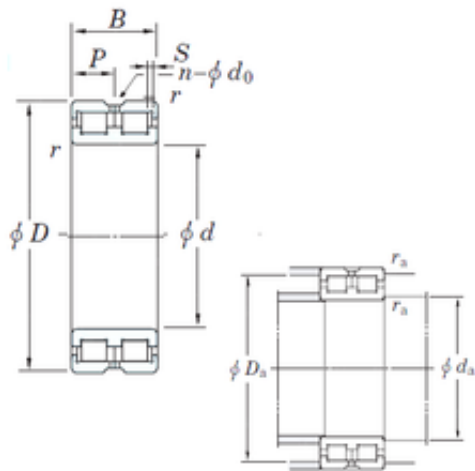




BEARING-SINGAPORE (PTE)LTD.



DC4926VW KOYO Full complement cylindrical roller bearings

Bearing No. DC4926VW

DC4926VW Bearing 2D drawings and 3D CAD models

Size	130x180x50 mm
Bore Diameter	130 mm
Outer Diameter	180 mm
Width	50 mm
d	130 mm
D	180 mm
B	50 mm
C	50 mm
n	4 mm
p	25 mm
r min.	1,5 mm
S	4 mm
da min.	138,5 mm
Da max.	171,5 mm
ra max.	1,5 mm
Weight	3,95 Kg
Basic dynamic load rating (C)	276 kN
Bearing No.	DC4926VW
r(min)	1.5
Cr	276
C0r	560
S	4 mm
P	25
n(qty)	4
do	3



BEARING-SINGAPORE (PTE)LTD.

da(min)	138.5
Da(max)	171.5
ra(max)	1.5
(Refer.)Mass(Fixed side)(kg)	3.80